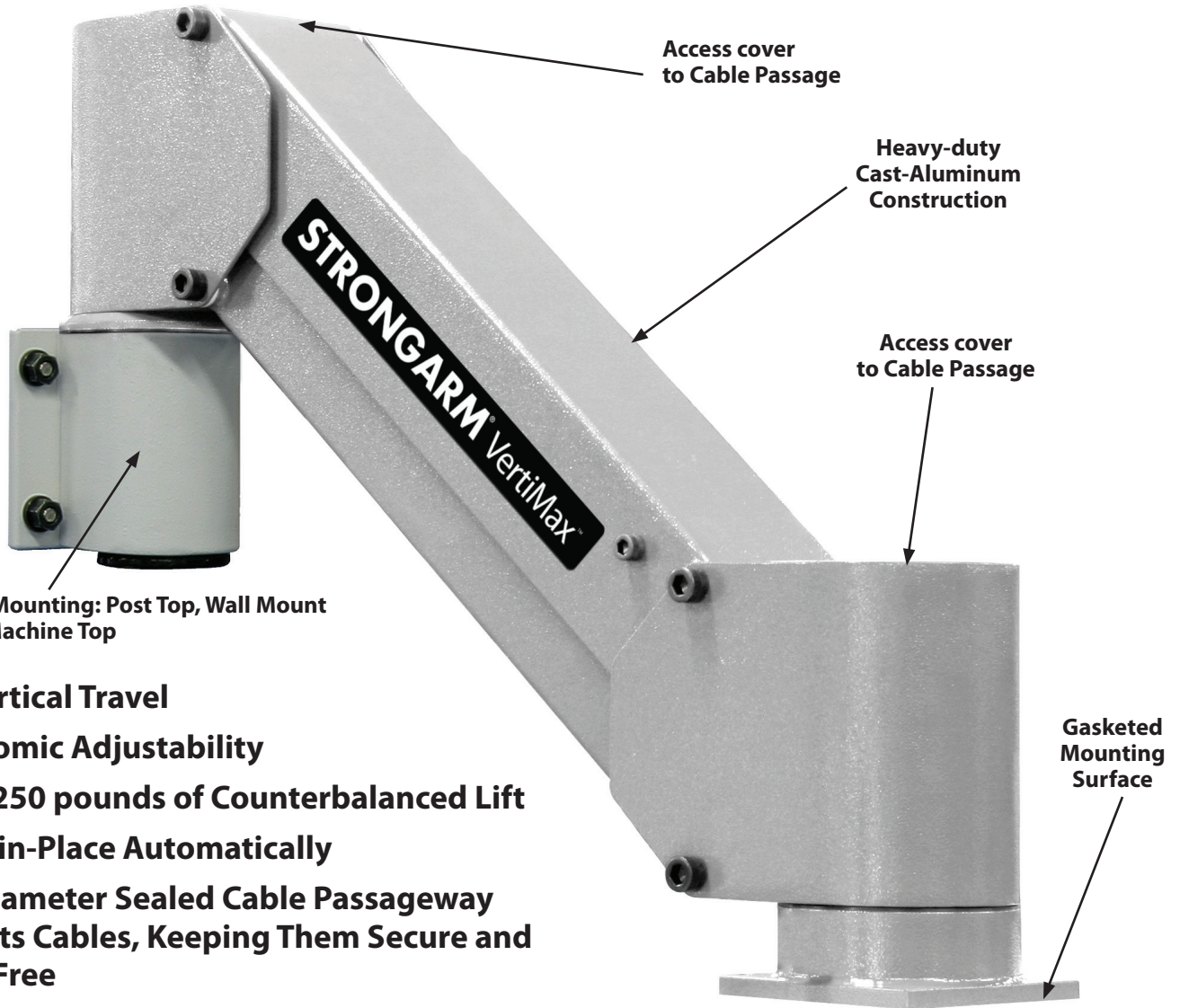
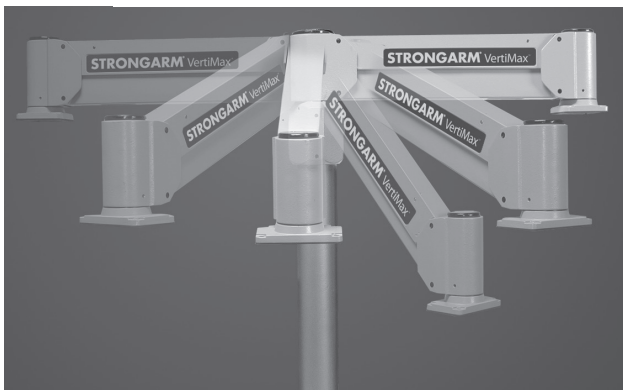


VertiMax™ Adjustable Pendant Arm

Vertically adjustable mountings for larger operator interfaces and enclosures

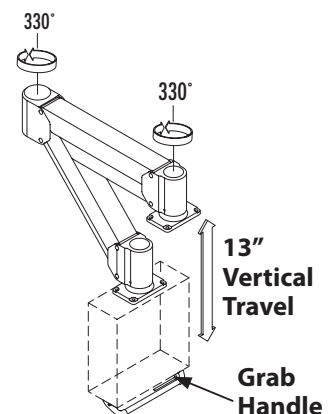


- 13" Vertical Travel
- Ergonomic Adjustability
- Up to 250 pounds of Counterbalanced Lift
- Locks-in-Place Automatically
- 2.5" Diameter Sealed Cable Passageway Protects Cables, Keeping Them Secure and Twist-Free



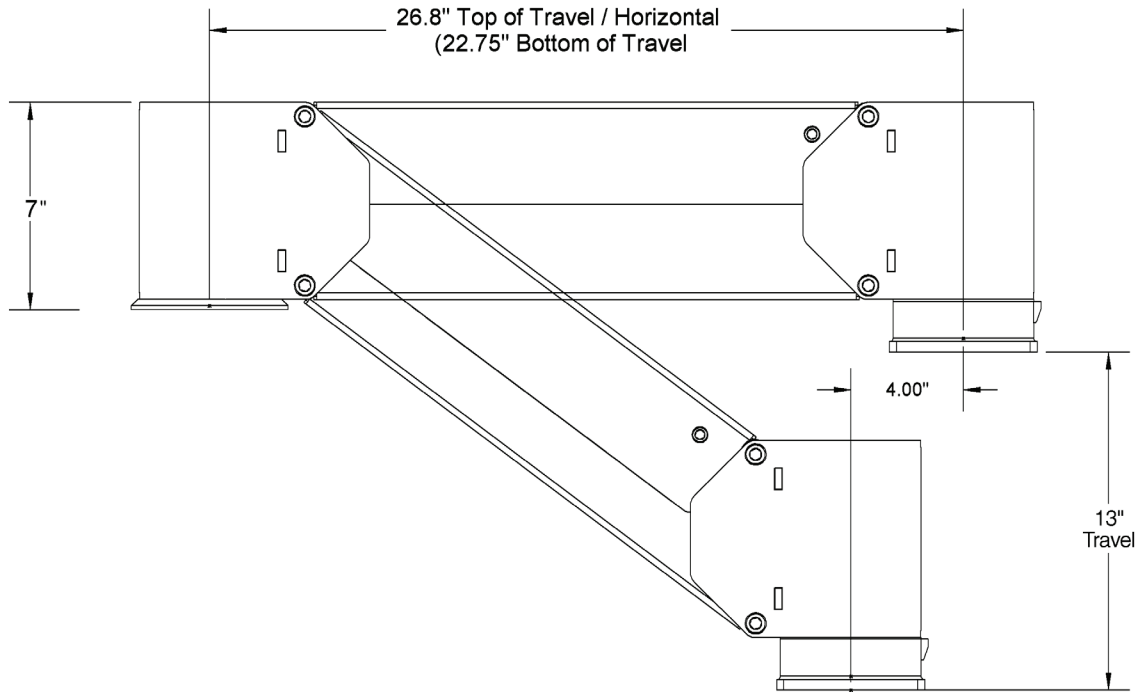
Easily Repositioned

STRONGARM's VertiMax™ Pendant Arm allows the operator to adjust the interface to a comfortable height. The operator simply squeezes the grab handle and the interface becomes weightless and easily repositioned. The gas spring counterbalancing system automatically locks in place, providing safety and stability. Swivels at both ends with rotational stops are standard.



VertiMax™ Adjustable Pendant Arm

Dimensions



Specifications

Weight/Counterbalance Capacity:	250 Pounds
Diameter of flexible, sealed cable passage:	2.5" I.D.
Vertical Travel:	13"
Vertical Adjustment:	Locks in Place
Classification:	NEMA 4
Configurations:	Wall Mount, Post Mount, Machine Top Mount
Accessories:	Horizontal, Middle Joint, Vertical Extensions
Mounting Posts:	74", 79" & custom lengths, 6.00" O.D. with blank junction box (affixed to post with 2.5" NPT female coupler)

VertiMax™ Adjustable Pendant Arm

Surface Mounting Selections

Wall Mount



A Wall Mount VertiMax Arm attaches to a vertical surface with a thru-hole pattern (4) 0.53 Ø. Cables enter through the center of mounting surface or female 2½" NPT access cap opening. Rotational stops at 180° (±90°) are standard; alternate stops can be specified.

Post Mount



A Post Mount VertiMax Arm attaches to a plain end 6" OD tube or 6" pipe. Collar slides over post and is leveled with set screws. A pilot hole in the collar for drilling through the post and installing a 5/16" bolt is provided. Cables enter through post (optional posts have 1½" NPT female coupling). Rotational Stops at 330° (±165°) are standard; alternate stops can be specified.

Machine Top Mount

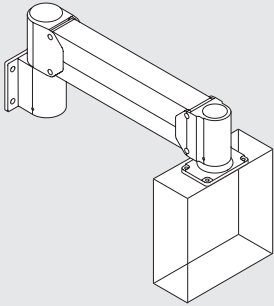


A Machine Top mount VertiMax Arm attaches to a horizontal surface with thru-hole pattern (4) 0.38 Ø. Cables enter through center of mounting surface. Rotational stops at 330° (±165°) are standard; alternate stops can be specified.

VertiMax™ Adjustable Pendant Arm

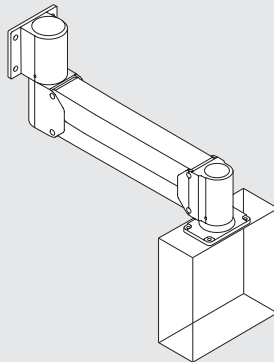
Assembly Configuration Selection

Standard Configuration



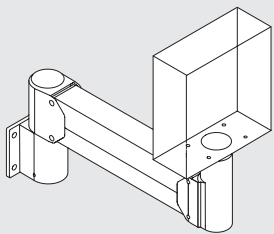
The mounting surface supports the arm and the enclosure is suspended from the arm. This is the most popular configuration.

Inverted Configuration



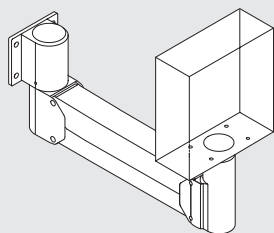
The mounting end is inverted, resulting in the arm being suspended from the mounting surface. Inverted post-mounted arms are popular for supporting the arm from the ceiling.

Supported Configuration



The mounting surface is supporting the arm and the enclosure is supported by the arm. A vertical extension is required for this configuration so that the arm does not come in contact with the enclosure when it is lowered and rotated. The minimum length of the extension depends on the size of the enclosure. This configuration is popular for supporting devices other than operator interface enclosures.

Inverted Supported Configuration



The mounting end is inverted and the enclosure is supported by the arm. A vertical extension is required for this configuration so that the arm does not come in contact with the enclosure when it is lowered and rotated. The minimum length of the extension depends on the size of the enclosure. This configuration is popular for supporting devices other than operator interface enclosures.

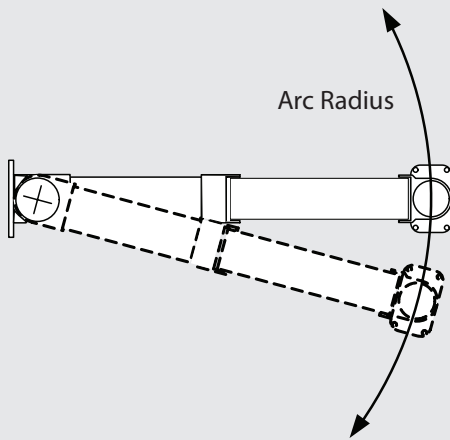
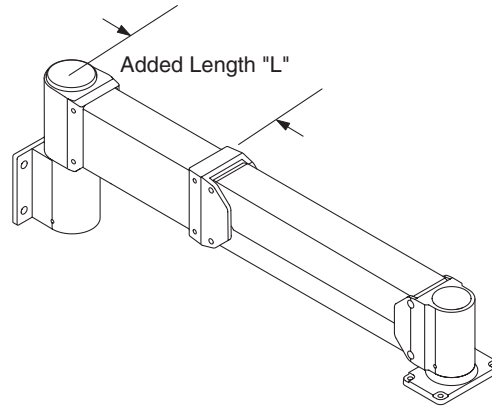
VertiMax™ Adjustable Pendant Arm

Arm Extensions

Horizontal Extension



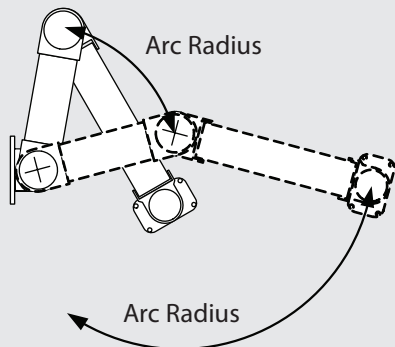
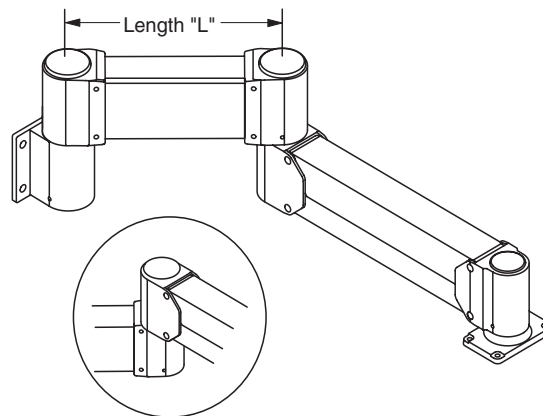
The horizontal extension increases the overall length of the arm. The horizontal extension is inserted between the mounting surface pivot and the VertiMax arm. Vertical travel does not change. Swivel-to-swivel length is increased by dimension "L".



Middle Joint Extension



The middle joint extension adds a third pivot to the VertiMax arm for in/out adjustability.



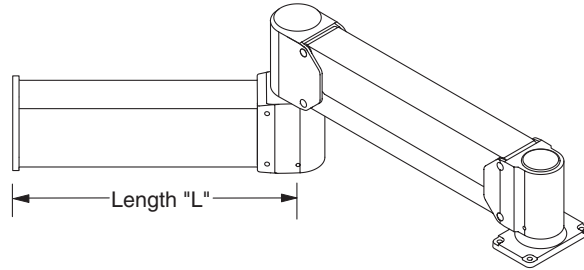
VertiMax™ Adjustable Pendant Arm

Arm Extensions (continued)

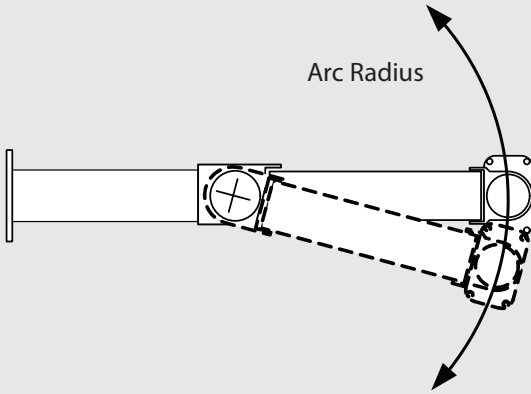
Rigid Wall Mount



Typically used when there is a mounting surface available but not in the ideal location. The rigid wall mount essentially moves the mounting surface. Both length and angle can be specified. These extensions are preferable over horizontal and middle joint extensions for applications that require a long reach.



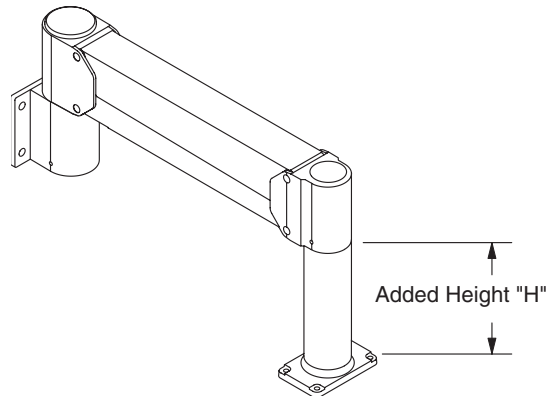
Arc Radius



Vertical Extension



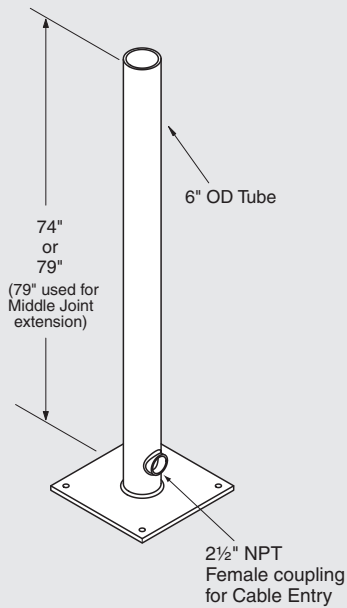
The vertical extension increases the distance between the mounting surface and the enclosure by "H". Select from standards of 4", 8", 12" or specify the exact length. Very long vertical extensions are not recommended due to the increase in the twisting moment on the arm. Generally, the shorter the better and not longer than 18".



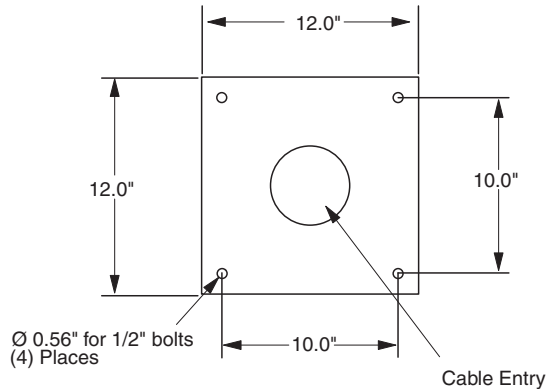
VertiMax™ Adjustable Pendant Arm

VertiMax Options

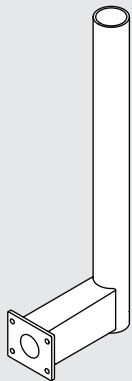
Floorpost



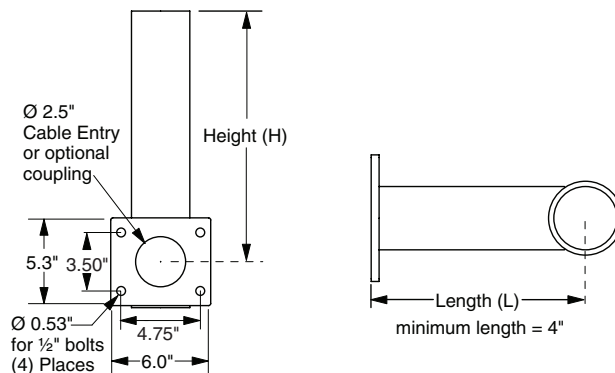
For use with a post top mount VertiMax arm, the floorpost is a very popular method of mounting an arm when a structural surface is not available. The 74" post is for VertiMax arms and the 79" post is for VertiMax arms with a middle joint extension. Fabricated from heavy wall 6" structural tube welded to a 12" x 12" x 3/8" thick baseplate. A 2 1/2" female NPT coupling near the base for cable entry, additional couplings can be specified or located differently.



Machine Base Post



The machine base post attaches to a machine frame and extends the post out a distance "L" as needed for clearance.



VertiMax™ Adjustable Pendant Arm

VertiMax Options (continued)

Floorpost Accessories

Tie-off Kit for Inverted Post A popular method of mounting is to invert a floorpost and attach it to a ceiling structure. To avoid twisting of the structure, it is recommended that diagonal tie-offs are installed. This kit includes (2) sets of clamps that attach to the post and have thru-holes for attaching user-supplied tie-offs between the clamps and ceiling structure.

Release Handles

Enclosure Handle Standard enclosure handle is supplied with the VertiMax Arm.

Arm Handle The arm handle is attached to the VertiMax arm and used for non-enclosure or other unusual applications where the standard handle is inappropriate.

Rotational Stops

Specified Rotational Stops Alternative rotational stop locations can be specified. The standard default stop locations are listed in **VertiMax Specifications**. Use the same format when specifying the limits of the desired rotation.

Latching Stop The latching stop holds the swivel point at an exact angle. The stop is released by a short pull lever located on the front side of the arm end. The stop pin is spring-loaded for automatic latching. Hard stops are also installed to prevent rotation beyond the latching stop, please call for assistance.

Detent Stop Detent stops hold the swivel point at an exact position and releases when a firm force is applied. Detents utilize spring ball mechanisms and have adjustable breakaway force. Detent stops are application specific, please call for assistance.

Finish

Alternate Paint Finishes
Powder Coat: Black, White
Polyurethane paint: Black, White, Stone Gray RAL 7030
Steel-it stainless steel based paint: Natural steel-it gray color

Color Matching Colors can be matched in Polyurethane paint to customer-supplied sample.

Other Options

Restricted Vertical Travel The angle of travel can be restricted as necessary, specify angle(s).

Clean Room Specification Specific to semiconductor manufacturers, this option reduces the bearing surface materials to just stainless steel on Delrin (acetal). Also, the use of all lubricants is eliminated.

Threaded Access Caps The cable access covers can be supplied with a 1/2" NPT female thread for mounting a stack light.

Support Tray Typically used in a supported assembly configuration for holding non-operator interfaces.